

Maintenance guide

For Rigitone® Activ'Air ceilings
and wall absorbers



Characteristics

Rigitone Activ'Air perforated boards consist of a special gypsum board, which is perforated in the further processing. It has a black or white acoustic tissue on the back as a standard.

Application

By creating good acoustic properties, the modern joint less design and the air cleaning power are especially suitable for areas with high numbers of people congregate, such as schools or offices.

Installation

Rigitone Activ'Air boards have to install according to the **Rigips Installation Guidelines**.

Cleaning and Repairing

The surface of the Rigitone Activ'Air can be cleaned with a damp cloth and a mild detergent. Observe the manufacturer's instructions for the final coating. Dust, especially sanding dust after installation, can be removed from the holes with a vacuum cleaner. Damages in the surface can be easy repair with some joint filler.

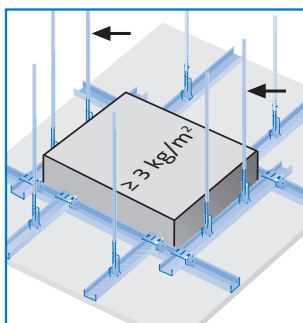
Load fastening

For installations such as lighting elements or ventilation outlets with dimensions larger than the gaps between profiles, the openings in the ceiling surface must be supported by additional frames in the substructure.

This generally also applies for installations $\geq 3 \text{ kg/m}^2$.

The weight of the installations must be transferred to the slab by at least two additional Rigips hangers per frame. The number and type of Rigips hangers is also dependent on their load class and the additional load from the installation they need to bear.

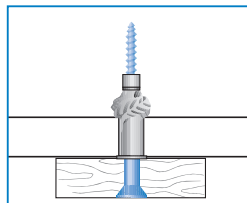
Heavy loads which exceed the permitted loads for dowels and ceiling structures must be attached directly to the slab or a supporting structure which ensures the load is transferred to the slab.



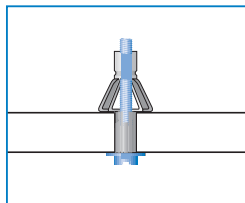
Frame for additional installations

Cavity dowels for ceiling structures

The range of standard cavity dowels shown here may be supplemented by comparable manufacturer-specific dowels.



Expandet anchor



Molly screw anchor
(comparable with Hilti HDD)

Final coating of Rigitone boards

A suitable primer is in accordance with Manufacturer specifications of the final coating.

Paint should be applied using a short-haired lambskin roller. Take care to ensure that the perforations do not become filled with paint. The paint may not be applied using a spraying machine.

All standard paints, e.g. distemper, emulsion paints and varnishes, oil based, alkyd resin, polymer resin, polyurethane and epoxy resin paints, are suitable.

Silicone paint may only be applied with a suitable primer.

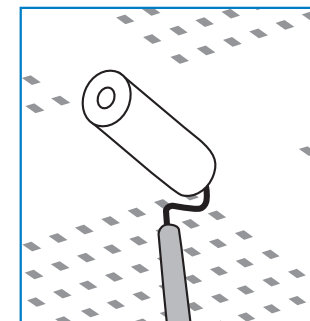
Mineral-based paints such as whitewash and silicate paints (also known as pure silicate paints) are not suitable.

Dispersion-modified silicate paints (organo-silicate and dispersion modified silicate paints) may only be used if the manufacturer expressly guarantees their suitability and provides precise processing instructions. Where these paints have to meet specific requirements in terms of performance characteristics (e.g. washability in accordance with DIN EN ISO 11998), these requirements must be expressly guaranteed.

Scrapping and recycling

The complete Rigitone Activ'Air incl. the grid system is recyclable.

For more Information please see the **Safety Data Sheets** or **Product Data Sheets**.



rigitone.com



Headquarters
Saint-Gobain Rigips GmbH
Schanzenstraße 84
40549 Duesseldorf
Germany
Phone +49(0)211 5503-0
Fax +49(0)211 5503-208
info@rigips.de
www.rigips.de